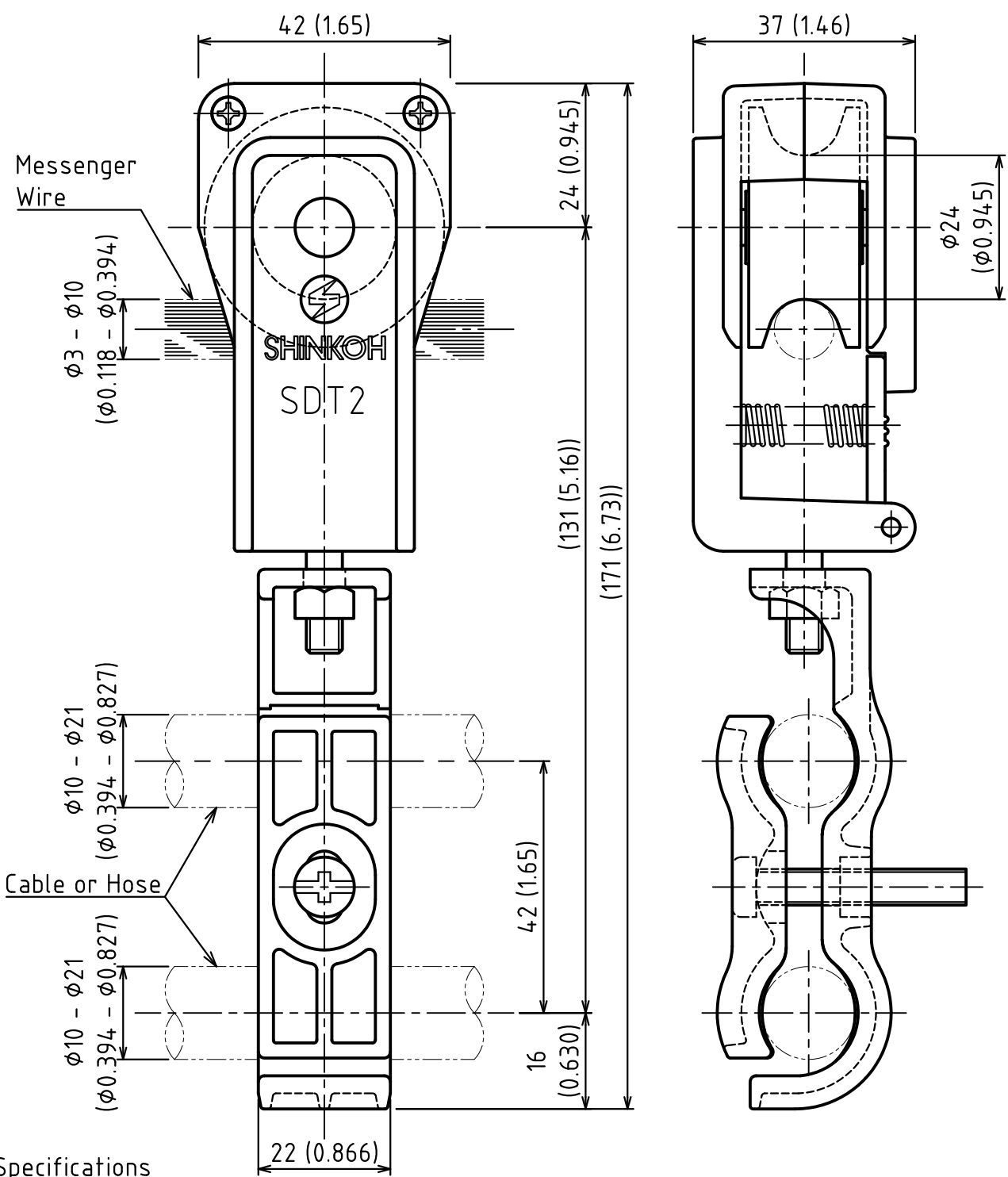


MARK	改定 REVISION	日付 DATE
△		



Specifications

- Material
 Roller: Polyacetal
 Roller holder and Clamp: Polycarbonate
- Allowable load: 25N (2.5kgf)
- Weight: 0.10kg (0.220lb)

Unit: mm (in)

承認 APPROVED BY	検図 CHECKED BY	作成 DRAWN BY	NO.	部品名 NAME OF PARTS	材質 MATERIAL	PCS	REMARKS
		S.Sakata	第3角法 3RD ANGLE PROJECTION	名称 TITLE	ROUND HOSE AND CABLE CARRIER Model SDT2-PW		
			尺度 SCALE	1/1	図番 DWG.NO.	SH053300	
			作成日付 DATE	Dec. 2, 2014			REVISION